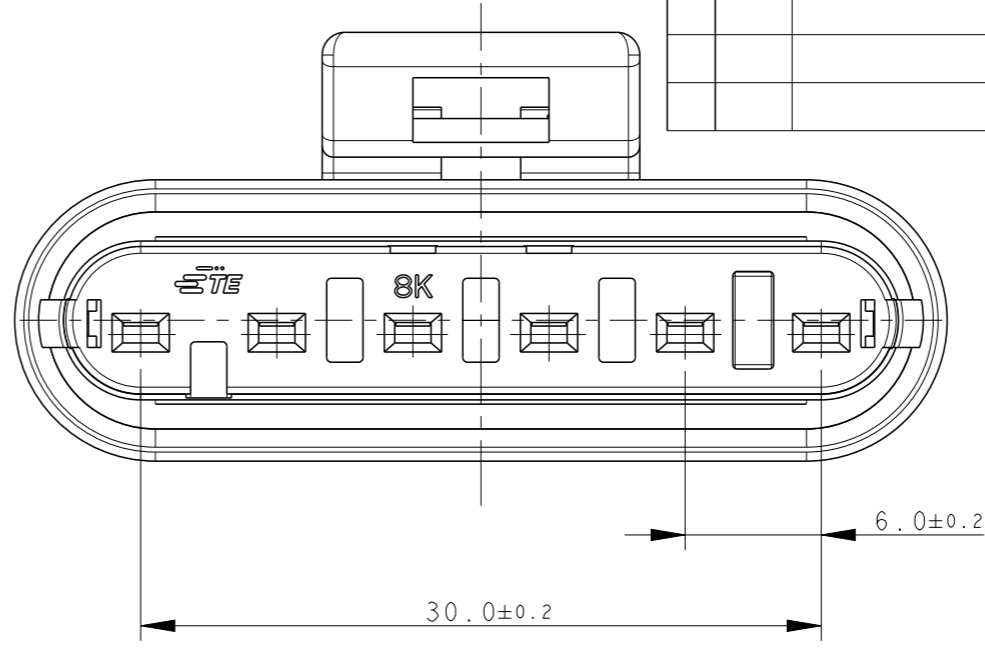
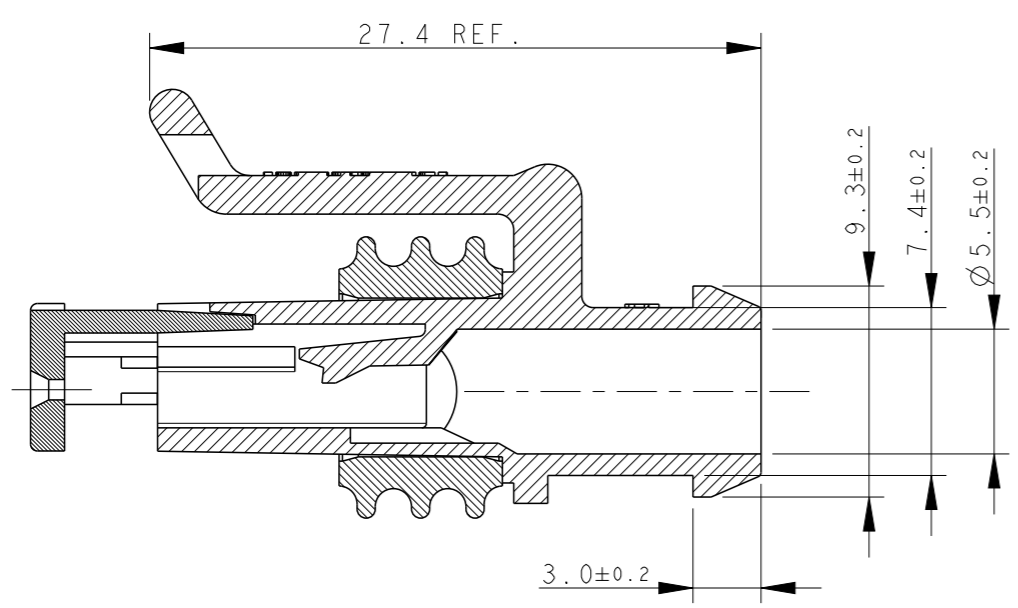


THIS DRAWING IS UNPUBLISHED. RELEASED FOR PUBLICATION 2011 ALL RIGHTS RESERVED.

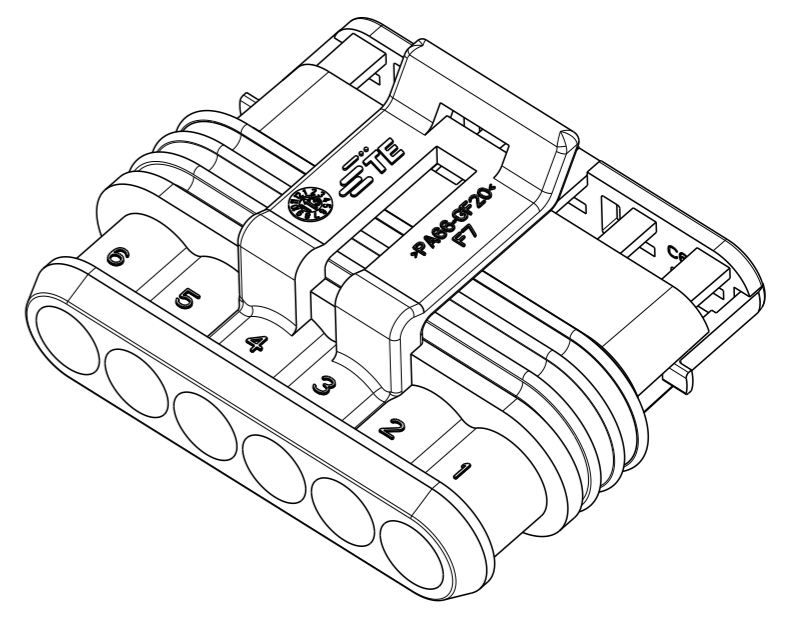
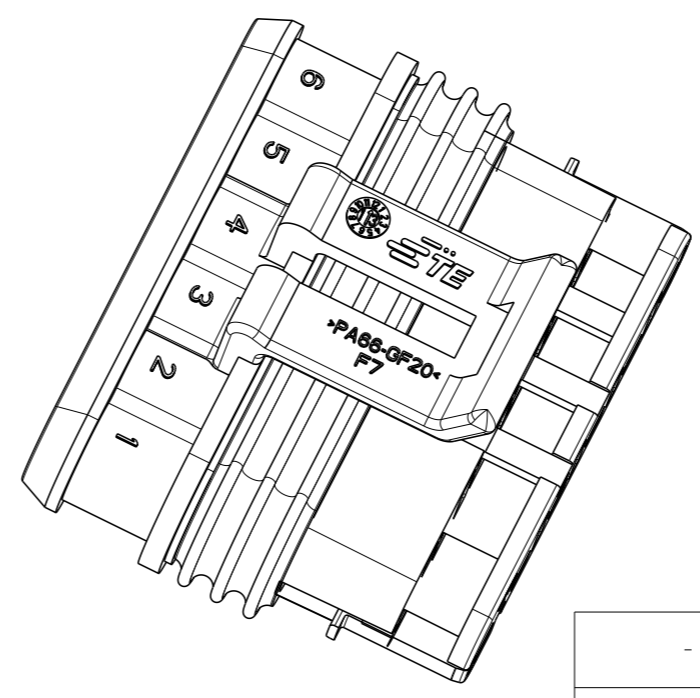
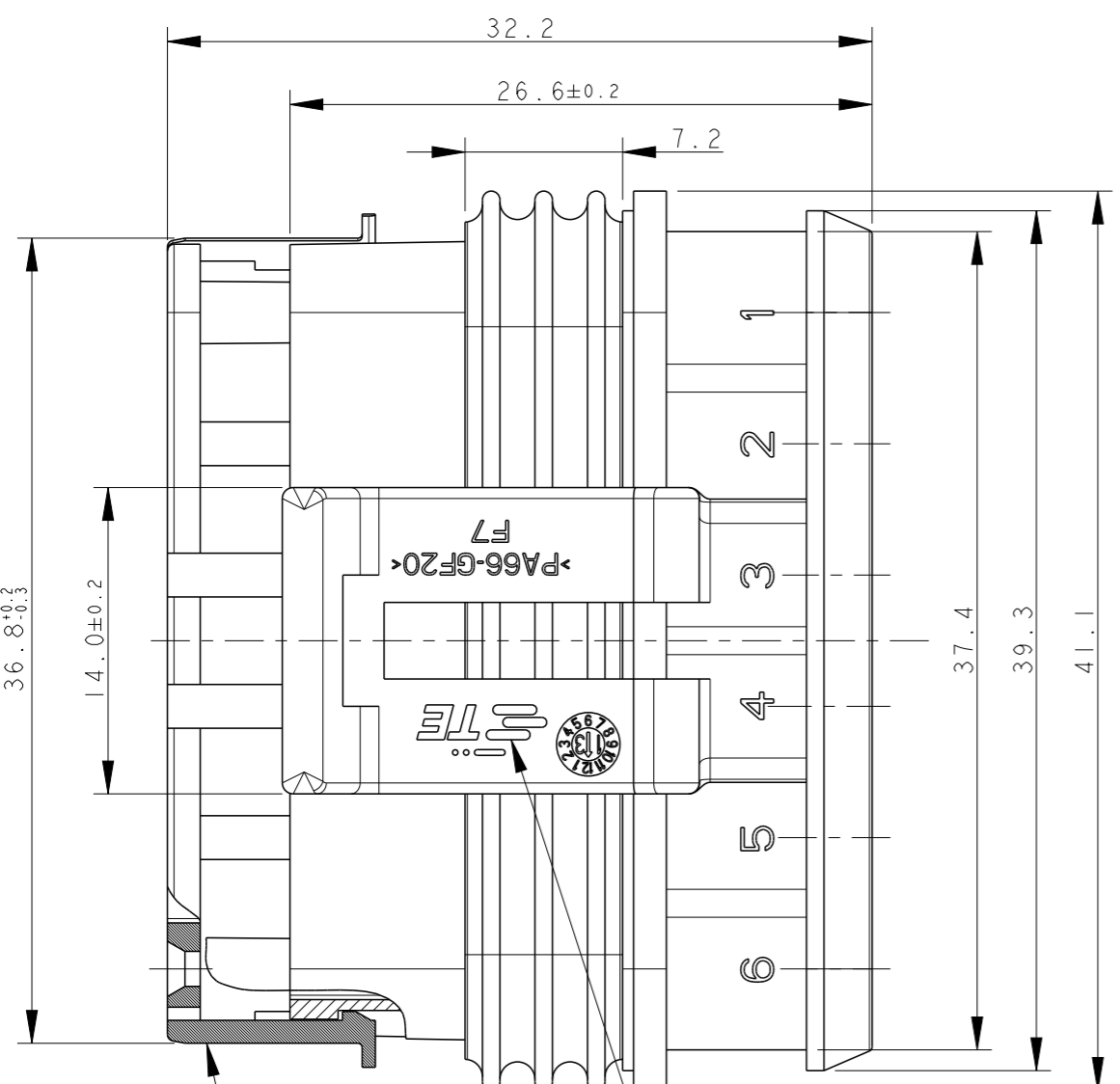
© COPYRIGHT 2011

REVISIONS

P	LTR	DESCRIPTION	DATE	DWN	APVD
	D	ECR-14-009314	24MAR2015	M.P.	M.G.



NOT YET RELEASED FOR PRODUCTION




1) FOR COUNTERPART DETAILS, SEE SHEET 2 OF 2

NOTE	FINISH/COLOR	MATERIAL	PART NUMBER
-	BLACK	PA66-GF	1745058-1

TE CONNECTIVITY TRADE MARK, (IN ALTERNATIVE: "AMP" LOGO, OR "Tyco Electronics" LOGO)

SEALING (SILICONE RUBBER)

PRE-ASSEMBLED SECONDARY LOCK (RED COLOR)

THIS DRAWING IS A CONTROLLED DOCUMENT.		DWN M. PALMA 22-06-2005	 TE Connectivity
DIMENSIONS: mm		CHK R. MARTINI 22-06-2005	
TOLERANCES UNLESS OTHERWISE SPECIFIED:		APVD -	
0 PLC ±- 1 PLC ±0.3 2 PLC ±- 3 PLC ±- 4 PLC ±- ANGLES ±2°		NAME -	
MATERIAL SEE TABLE (VEDI TABELLA)		PRODUCT SPEC 108-20090	AMP SUPERSEAL 1.5 SRS. 6 POSITIONS PLUG ASS'Y
FINISH SEE TABLE (VEDI TABELLA)		APPLICATION SPEC 412-20000	SIZE A3
		WEIGHT 6.55gr	CAGE CODE 00779
		CUSTOMER DRAWING	DRAWING NO C=1745058
		SCALE 3:1	RESTRICTED TO -
		SHEET 1 OF 2	REV D